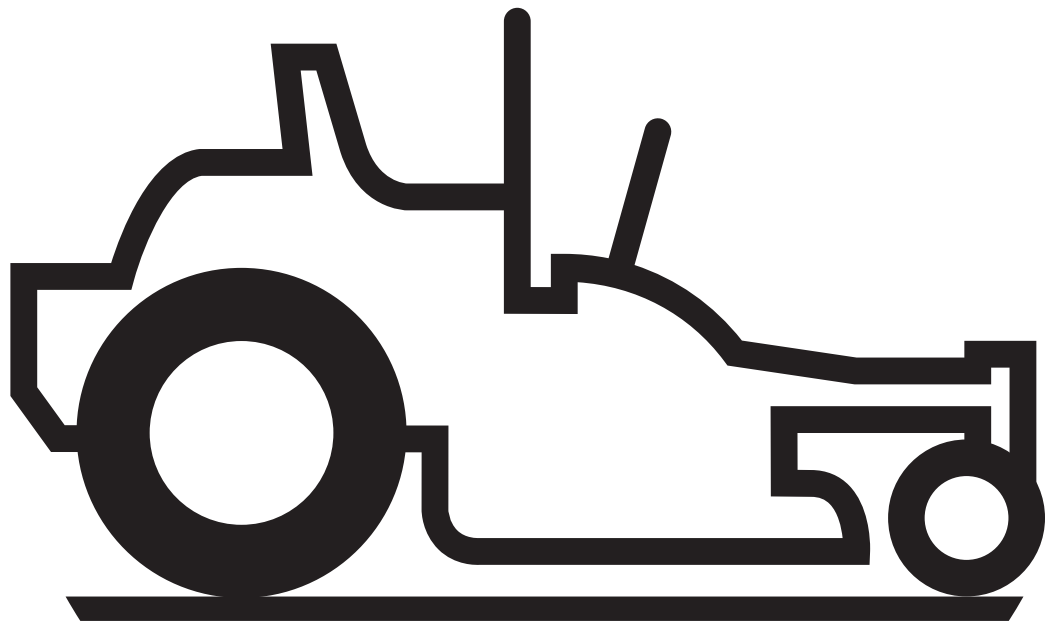


Parts Manual

ZM3816 BF / 966582001

Only for US and AUS/NZ



Please read the operator's manual carefully and make sure you understand the instructions before using the machine.

When you need spare parts or support in service questions, warranty issues, etc., please consult the following professional:

This Parts Manual belongs to the machine with the manufacturing number:	Engine	Transmission

Manufacturing Number

The machine's manufacturing number can be found on the printed plate affixed to the engine compartment.

Stated on the plate, from the top are:

- The machine's type designation (I.D.).
- The manufacturer's type number (Model).
- The machine's serial number (Serial no.)

Please have the type designation and serial number available when ordering spare parts.

The engine's manufacturing number is stamped on one of the valve covers.

The plate states:

- The engine's model.
- The engine's type.
- Code

Please have these available when ordering spare parts.

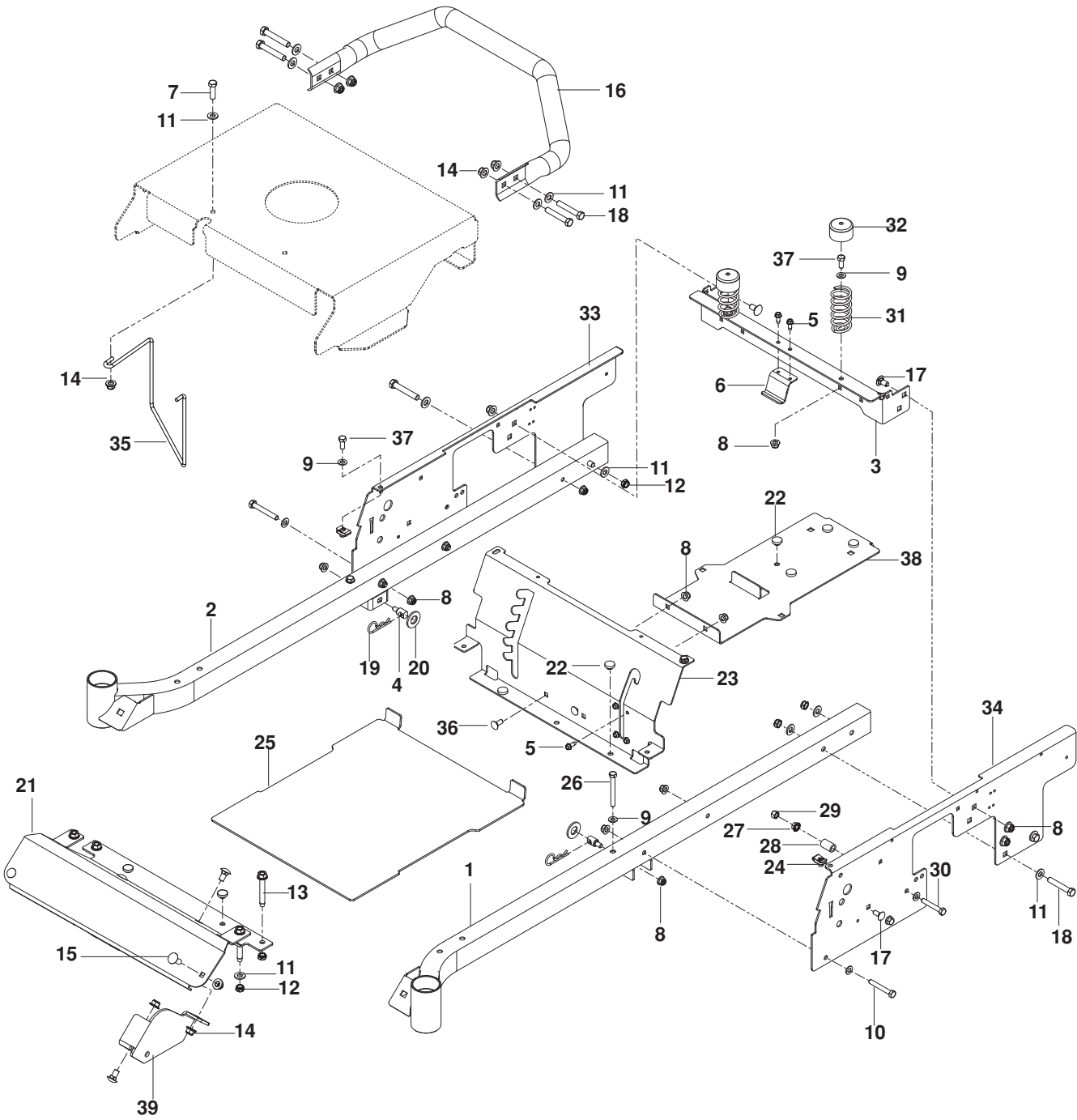
Wheel motors and hydrostatic pumps have a barcode decal affixed at the rear.

CONTENTS

FRAME	4	WHEELS / TIRES.....	14
ENGINE PLATE.....	6	BRAKE / DECK LIFT	16
STEERING	8	MOWER DECK / CUTTING DECK	18
IGNITION.....	10	SEAT	20
HYDRAULIC PUMP / MOTOR	12	DECALS	22

NOTE: ALL FASTENERS ARE GRADE 5 UNLESS OTHERWISE SPECIFIED.

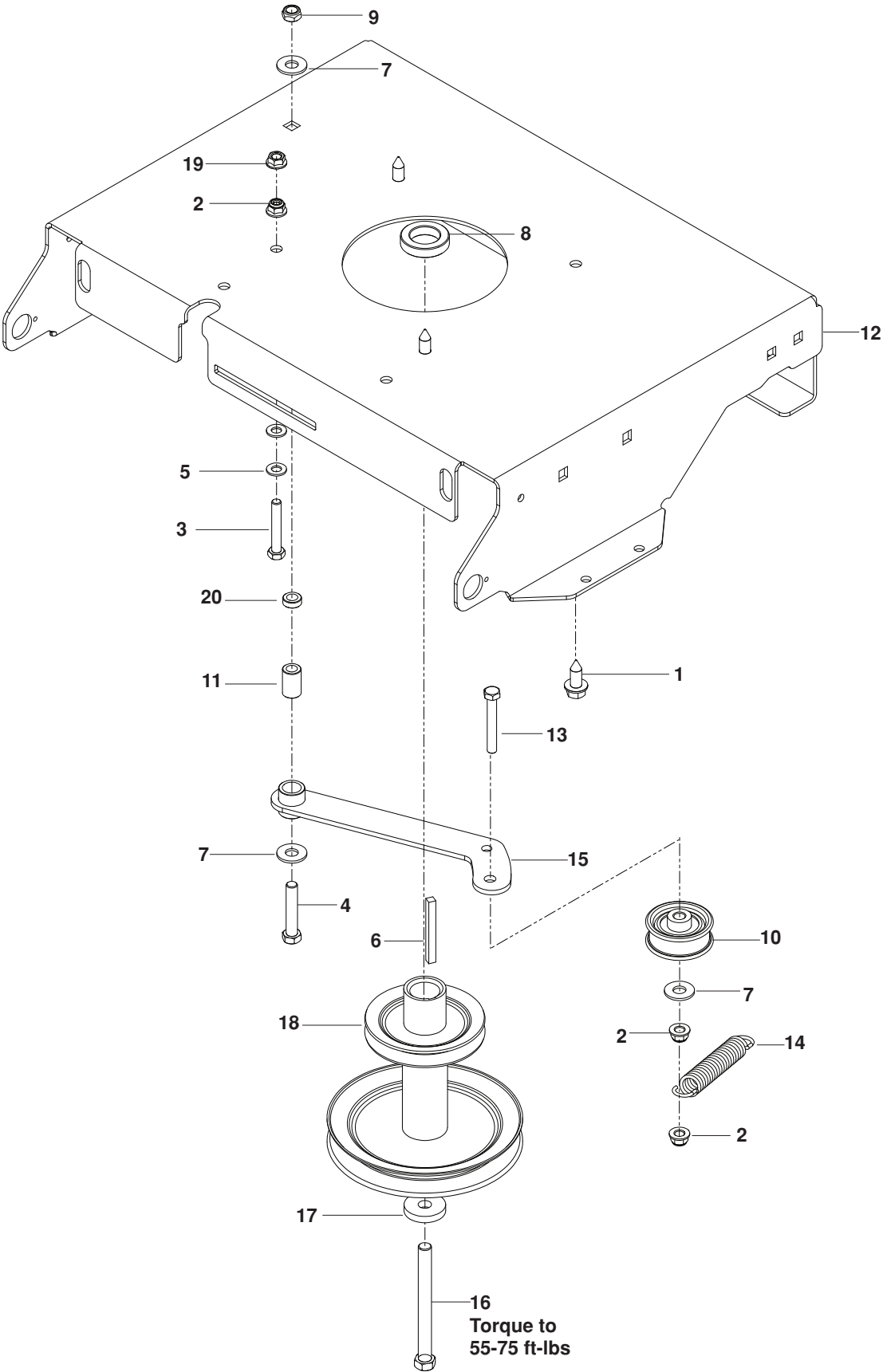
FRAME



FRAME

ITEM	PART NO.	QTY.	DESCRIPTION	ITEM	PART NO.	QTY.	DESCRIPTION
1..	525 454705....	1FRAME TUBE, LH BLK	22..	539 102587....	9GROMMET, BUMPER
2..	525 454905....	1FRAME TUBE, RH BLK	23..	575 661305....	1PANEL, SEAT SUPPORT BLK
3..	574 356405....	1SEAT SUPPORT, REAR BLK	24..	539 104763....	4RETAINER, U TYPE
4..	532 195161....	2STUD w/ ANTI-ROTATE	25..	576 414701....	1FOOT PLATE w/ DECALS BLK
5..	539 990362....	6SCREW 1/4-20 x 5/8 SLF TAP	26..	539 101721....	2HCS 5/16-18 x 2 3/4
6..	525 864502....	1BRACKET, FUEL TANK BLK	27..	539 990585....	4NUT 5/16-18 HEX WHIZLK
7..	539 976941....	1HCS 3/8-16 x 1 1/4	28..	539 119087....	2BUSHING
8..	539 112899..	14NUT 5/16-18 HEX FLG NYLOC	29..	539 990717....	6NUT 5/16-18 HEX NYLOC
9..	539 990188..	12WASHER 5/16 SAE FLT	30..	539 976937....	2HCS 5/16-18 x 2
10..	539 976938....	4HCS 5/16-18 x 2 1/4	31..	539 122632....	2SPRING, SEAT
11..	539 990122..	17WASHER 3/8 SAE FLT	32..	539 119884....	2CAP, SPRING
12..	539 200282....	8NUT 3/8-16 HEX JAM NYLOC	33..	575 328405....	1PLATE, RH BLK
13..	539 111976....	4BOLT 3/8-16 x 2 5/8 THD FRM	34..	575 328305....	1PLATE, LH BLK
14..	521 996501..	13NUT 3/8-16 FLANGE NYLOC	35..	575 952201....	1GUIDE, BELT
15..	539 990645....	2RHSNB 3/8-16 x 1	36..	539 990316....	2RHSNB 5/16-18 x 3/4
16..	574 354705....	1GUARD, REAR BLK	37..	539 976934....	4HCS 5/16-18 x 3/4
17..	539 111785....	6RHSNB 3/8-16 x 3/4	38..	525 798402....	1SUPPORT, TANK BLK
18..	539 990629....	8HCS 3/8-16 x 2 1/4	39..	525 605502....	1BRACKET, FRONT DECK
19..	539 976989....	2HAIRPIN				NOT SHOWN
20..	539 976982....	2WASHER 5/8 SAE FLT		539 110290	2FOAM STRIP
21..	574 779804....	1FOOT REST BLK				

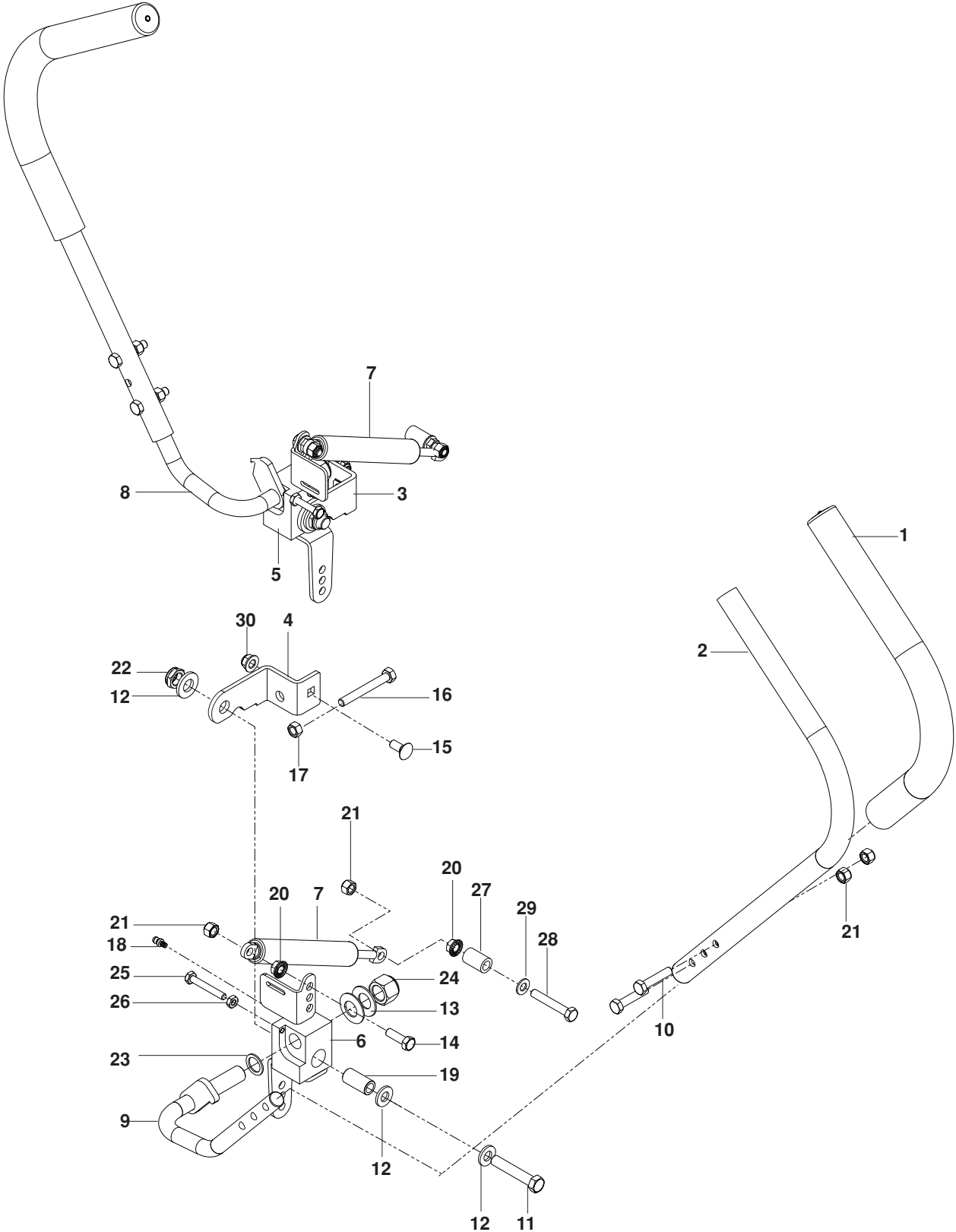
ENGINE PLATE



ENGINE PLATE

ITEM	PART NO.	QTY.	DESCRIPTION	ITEM	PART NO.	QTY.	DESCRIPTION
1..	532 120616....3	HHFS 3/8-16 x 1 THD FRM	11..	539 115270....1	BUSHING, METAL
2..	539 112899....3	NUT 5/16-18 HEX FLG NYLOC	12..	574 355805....1	PLATE, ENGINE BLK
3..	539 976937....1	HCS 5/16-18 x 2	13..	539 108396....1	HCS 5/16-18 x 2 1/2
4..	539 990588....1	HCS 3/8-16 x 2	14..	539 116350....1	SPRING 3 1/2
5..	539 990188....2	WASHER 5/16 SAE FLT	15..	574 497504....1	ARM IDLER
6..	539 917033....1	KEY 1/4 SQ x 2 1/2 LG	16..	574 882801....1	HCS 7/16-20 x 4
7..	539 990517....3	WASHER 3/8 FLT STD	17..	539 115546....1	WASHER
8..	539 114387....1	SPACER	18..	574 382001 ...1	PULLEY, ENGINE
9..	539 200282....1	NUT 3/8-16 HEX JAM NYLOC	19..	539 990585....1	NUT 5/16-18 HEX WHIZLK
10..	539 120812....1	PULLEY, IDLER	20..	539 109562....1	WASHER 3/8 x 3/4 SPEC

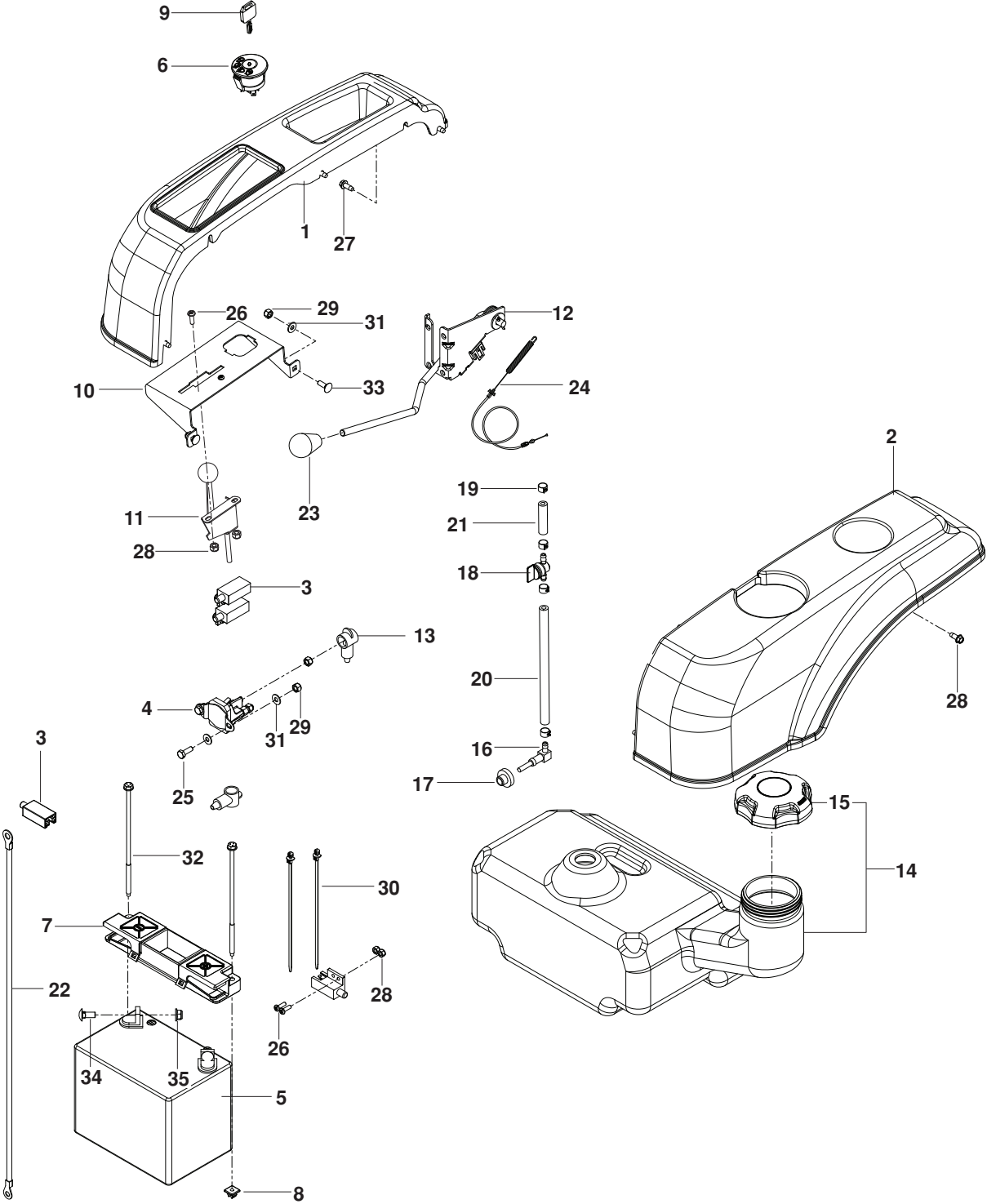
STEERING



STEERING

ITEM	PART NO.	QTY.	DESCRIPTION	ITEM	PART NO.	QTY.	DESCRIPTION
1..	539 120899....2	GRIP	16..	539 108396....2	BOLT, HEX $\frac{5}{16}$ -18 x $2\frac{1}{2}$ TPBLT
2..	539 120160....2	LEVER, UPPER	17..	539 990196....2	NUT, $\frac{5}{16}$ -18 HEX
3..	539 117949....1	STOP, STEER CNTRL RH	18..	539 115638....2	ZERK
4..	539 117950....1	STOP, STEER CNTRL LH	19..	539 120956....2	BUSHING $\frac{1}{2}$ ID x $\frac{3}{4}$ OD
5..	539 120984....1	PIVOT, RH	20..	539 990585....2	NUT $\frac{5}{16}$ -18 HEX WHIZLK
6..	539 120983....1	PIVOT, LH	21..	539 990717....6	NUT $\frac{5}{16}$ -18 HEX NYLOC
7..	539 114453....2	DAMPENER	22..	539 108010....2	NUT $\frac{1}{2}$ -13 JAM NYLOC GR 2
8..	539 120159....1	LOWER LEVER, RH	23..	539 115570....2	WASHER, SPECIAL
9..	539 120162....1	LOWER LEVER, LH	24..	539 110340....2	NUT $\frac{5}{8}$ -11 NYLOC
10..	539 976935....4	HCS $\frac{5}{16}$ -18 x $1\frac{1}{2}$	25..	539 991003....2	HCS $\frac{1}{4}$ -20 x $1\frac{3}{4}$
11..	539 101332....2	HCS $\frac{1}{2}$ -13 x $2\frac{3}{4}$	26..	539 991112....2	NUT $\frac{1}{4}$ -20 JAM
12..	539 990250....6	WASHER $\frac{1}{2}$ SAE	27..	539 119087....2	BUSHING
13..	539 911121....4	WASHER $\frac{5}{8}$ BELLEVILLE	28..	539 976937....2	HCS $\frac{5}{16}$ -18 x 2
14..	539 990209....2	HCS $\frac{5}{16}$ -18 x 1	29..	539 990188....2	WASHER $\frac{5}{16}$ SAE FLT
15..	539 990316....2	RHSNB $\frac{5}{16}$ -18 x $\frac{3}{4}$	30..	539 112899....2	NUT $\frac{5}{16}$ -18 FLG HEX NYLOC

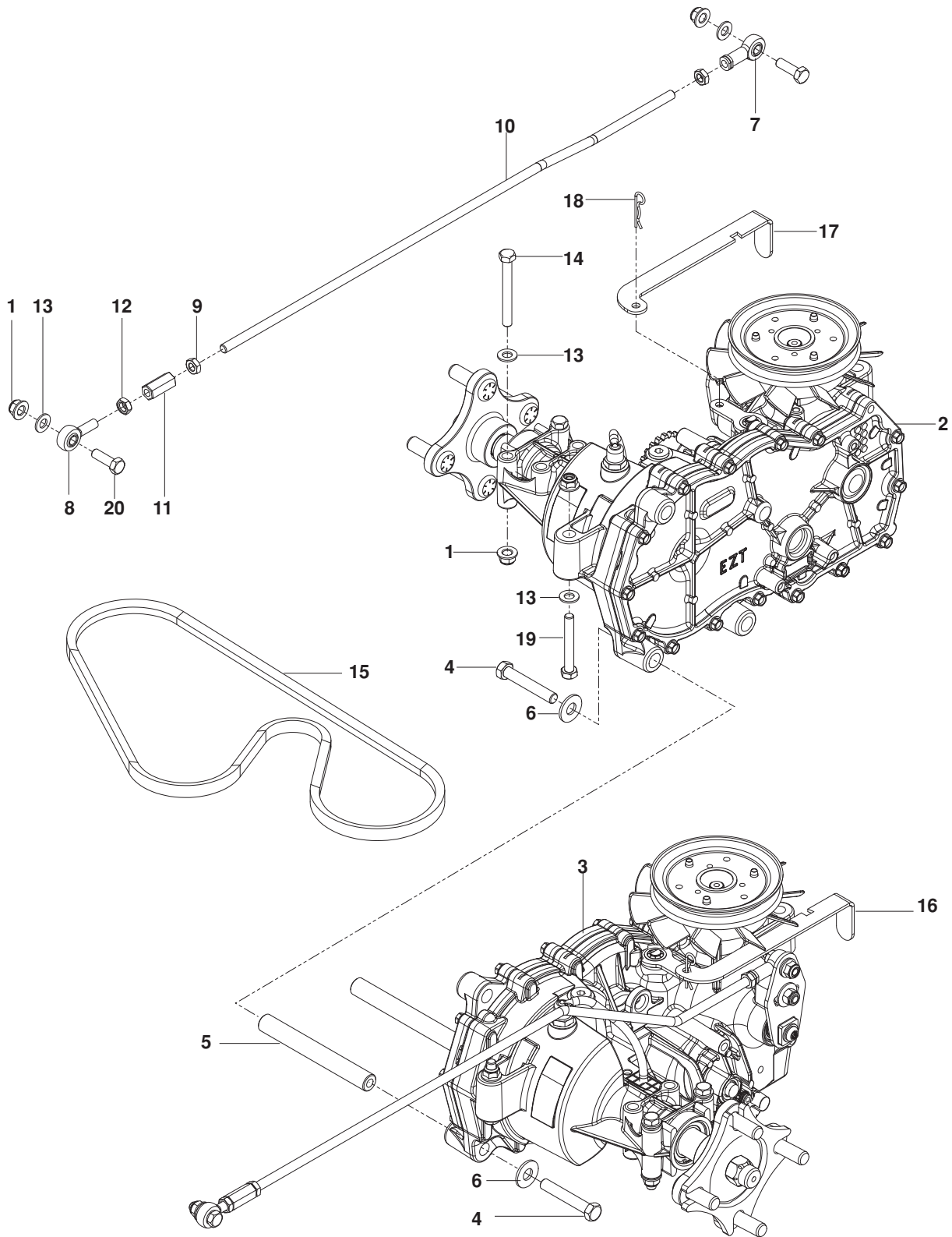
IGNITION



IGNITION

ITEM	PART NO.	QTY.	DESCRIPTION	ITEM	PART NO.	QTY.	DESCRIPTION
1..	539 120193....	1	FENDER, RH	21..	539 121486....	1	HOSE, 1/4 x 2
2..	539 120192....	1	FENDER, LH	22..	539 110068....	1	BATTERY CABLE, NEGATIVE
3..	539 101080....	4	SWITCH	23..	539 132624....	1	KNOB, CLUTCH
4..	539 101714....	1	SOLENOID	24..	532 193235....	1	CABLE, CLUTCH
5..	539 102436....	1	BATTERY	25..	539 990580....	2	HCS 1/4-20 x 3/4
6..	539 107541....	1	SWITCH, IGNITION	26..	539 976952....	8	SCREW #10-24 x 5/8
7..	539 107628....	1	BATTERY HOLD DOWN	27..	539 990362....	9	SCREW 1/4-20 x 5/8 SLF TAP
8..	539 107629....	2	NUT 1/4 PUSH NYLON	28..	539 976977....	8	NUT #10-24 HEX NYLOC
9..	539 107544....	1	KEY, IGNITION	29..	539 976978....	6	NUT 1/4-20 HEX NYLOC
10..	525 598601....	1	PANEL, CONTROL BLK	30..	539 976856....	3	WIRE TIE
11..	522 730101....	1	CABLE, THROTTLE	31..	539 990055....	6	WASHER 1/4 FLT SAE
12..	575 661501....	1	CLUTCH ASSY w/ CABLE	32..	539 107632....	2	BOLT 1/4 x 7 1/2
13..	539 116400....	3	TERMINAL COVER, SM	33..	539 990074....	2	RHSNB 1/4-20 x 3/4 GR2
14..	574 790702....	1	TANK ASSY, FUEL	34..	539 990316....	2	RHSNB 5/16-18 x 3/4
15..	539 130394....	1	CAP, FUEL	35..	539 112899....	2	NUT 5/16-18 HEX FLG NYLOC
16..	539 124804....	1	ELBOW w/ FILTER	NOT SHOWN			
17..	539 126217....	1	FITTING, TANK		539 104974 ...	1	CABLE, POSITIVE
18..	539 916325....	1	VALVE, FUEL		539 103306 ...	1	CABLE, POSITIVE LONG
19..	539 912222....	4	CLAMP, HOSE		574 658201 ...	1	WIRING HARNESS
20..	539 115736....	1	HOSE 1/4 x 8				

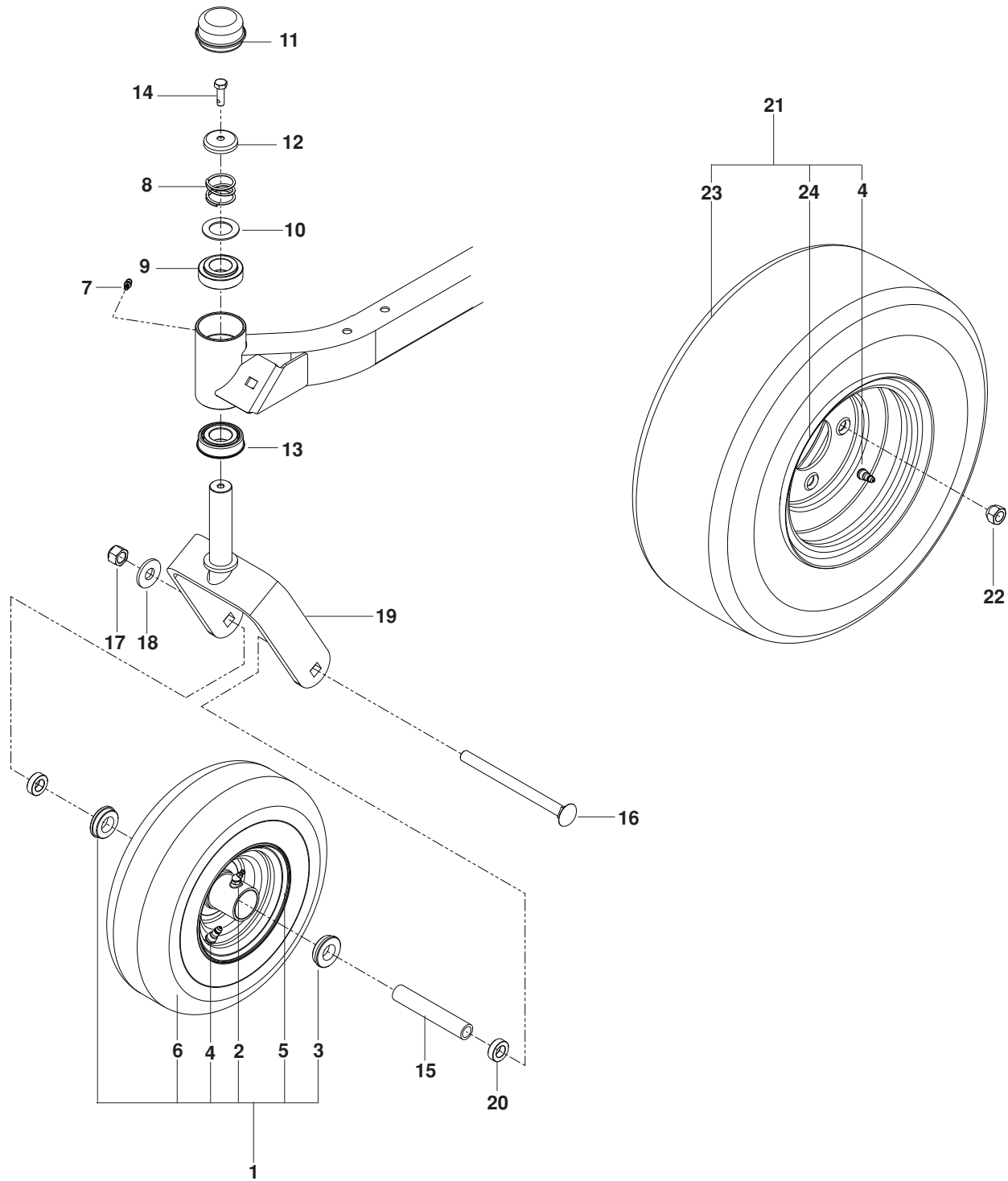
HYDRAULIC PUMP / MOTOR



HYDRAULIC PUMP / MOTOR

ITEM	PART NO.	QTY.	DESCRIPTION	ITEM	PART NO.	QTY.	DESCRIPTION
1..	539 112899..	10 NUT ⁵ / ₁₆ -18 HEX FLG NYLOC	11..	539 116689....	2 ROD END COUPLER
2..	539 120152....	1 HYDRO, RH	12..	539 991073....	2 NUT ⁵ / ₁₆ -24 HEX JAM LH
3..	539 120153....	1 HYDRO, LH	13..	539 990188..	10 WASHER ⁵ / ₁₆ SAE FLT
4..	539 990629....	4 HCS ³ / ₈ -16 x 2 ¹ / ₄	14..	539 101721....	4 HCS ⁵ / ₁₆ -18 x 2 ³ / ₄
5..	574 356501....	2 SPACER, HYDRO	15..	575 852401....	1 BELT
6..	539 990517....	4 WASHER ³ / ₈ FLT STD	16..	539 120156....	1 RELEASE HANDLE, LH
7..	539 115729....	2 ROD END, RH	17..	539 120157....	1 RELEASE HANDLE, RH
8..	539 116690....	2 ROD END, MALE LH	18..	539 976988....	2 HAIRPIN COTTER
9..	539 115502....	4 NUT ⁵ / ₁₆ -24 HEX JAM	19..	539 976938....	2 HCS ⁵ / ₁₆ -18 x 2 ¹ / ₄
10..	539 120169....	2 ROD, CONTROL	20..	539 990209....	4 HCS ⁵ / ₁₆ -18 x 1

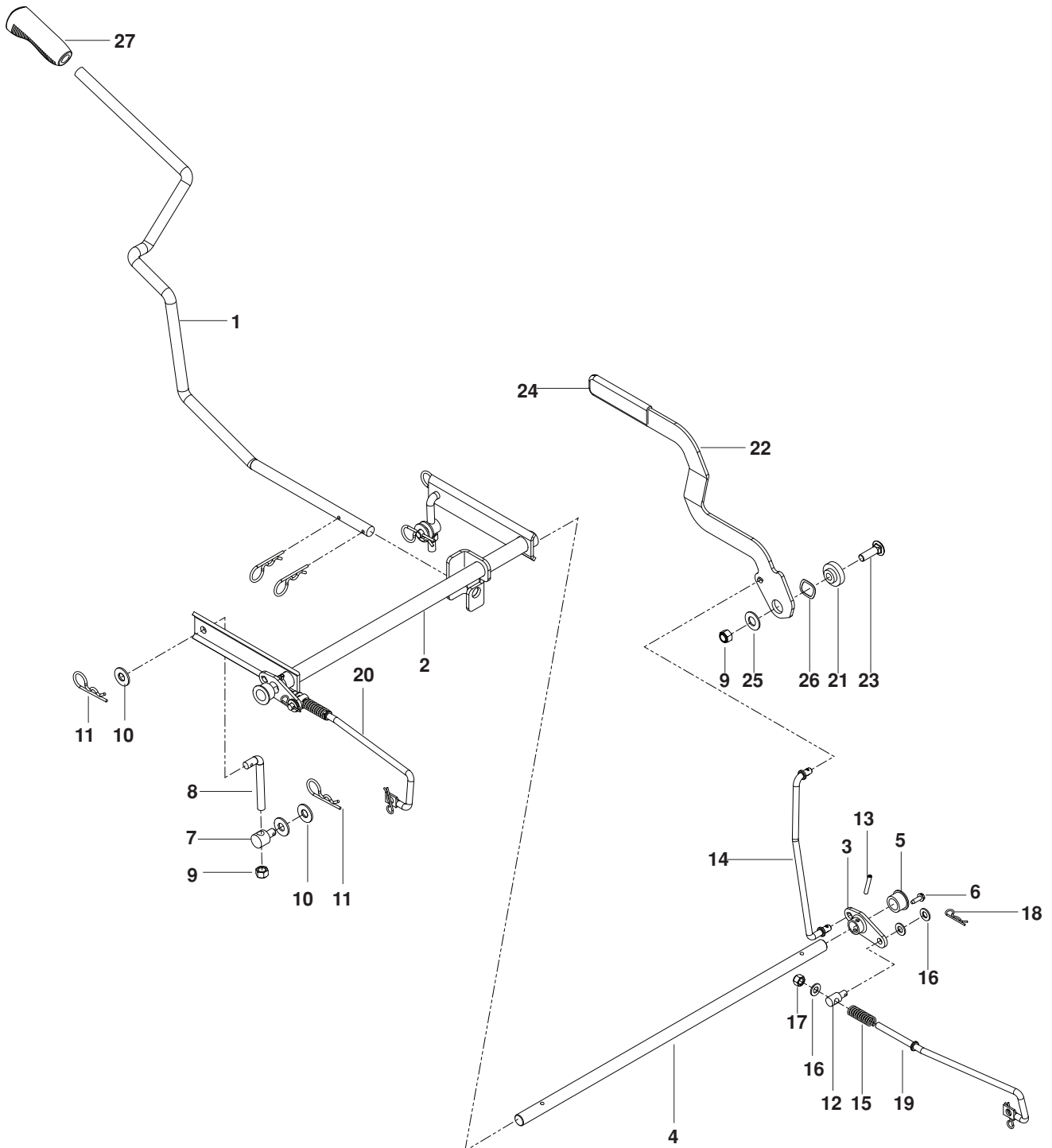
WHEELS / TIRES



WHEELS / TIRES

ITEM	PART NO.	QTY.	DESCRIPTION	ITEM	PART NO.	QTY.	DESCRIPTION
1..	516 001902....	2 CASTER TIRE ASSY	13..	539 112660....	2 BEARING, FLANGED
2..	539 976998....	2 ZERK	14..	539 115566....	2 HHB ⁵ / ₁₆ -18 x 1 NYLOC
3..	539 102484....	4 BEARING, FLANGED	15..	539 105543....	2 SPACER
4..	539 912234....	4 VALVE	16..	539 121159....	2 RHSNB ¹ / ₂ -13 x 6 ¹ / ₂
5..	539 110183....	2 RIM	17..	539 101331....	2 NUT ¹ / ₂ HEX NYLOC
6..	539 114697....	2 TIRE	18..	539 109554....	2 WASHER ¹ / ₂ FLT
7..	539 115638....	2 ZERK	19..	510 186502....	2 YOKE, CASTER BLK
8..	539 115747....	2 SPRING, CASTER	20..	539 114805....	4 SPACER ⁵ / ₁₆
9..	539 117901....	2 BUSHING, CASTER	21..	575 952501	2 WHEEL ASSY REAR
10..	539 115675....	2 WASHER	22..	539 101173....	8 NUT ¹ / ₂ LUG
11..	539 102535....	2 CAP, GREASE	23..	539 117555....	2 TIRE 4 PLY 18 x 7.5 x 8
12..	539 115749....	2 PLUG, CASTER	24..	575 952702....	2 RIM, 5.375 x 8 YLW

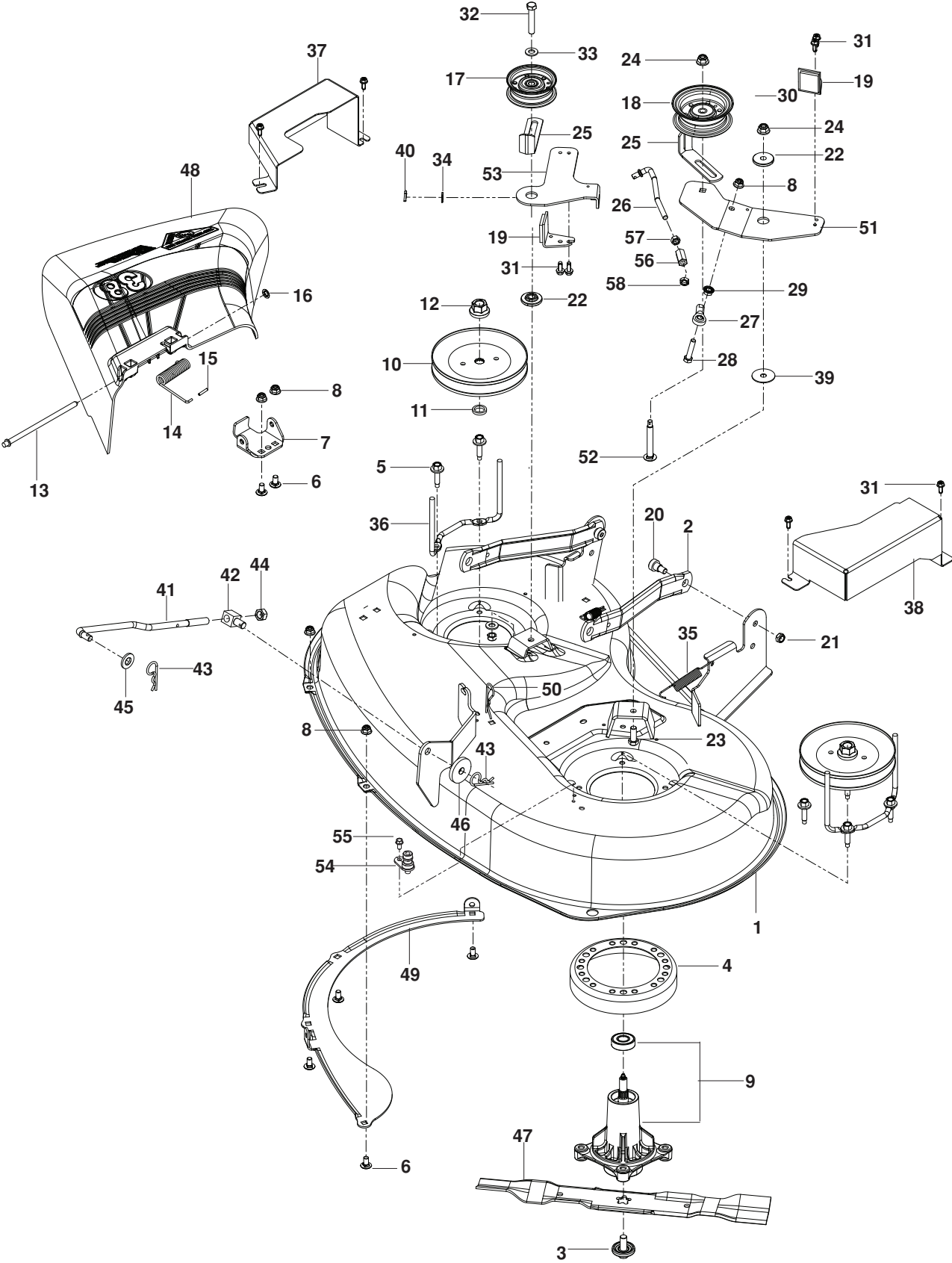
BRAKE / DECK LIFT



BRAKE / DECK LIFT

ITEM	PART NO.	QTY.	DESCRIPTION	ITEM	PART NO.	QTY.	DESCRIPTION
1..	525 580402....	1	HANDLE, LIFT	15..	539 101224....	2	SPRING
2..	574 356802....	1	SHAFT, LIFT	16..	539 990188....	6	WASHER ⁵ / ₁₆ SAE FLT
3..	525 580201....	2	BELLCRANK, BRAKE	17..	539 990717....	2	NUT ⁵ / ₁₆ -18 HEX NYLOC
4..	574 356601....	1	ROD, BRAKE	18..	539 976988....	4	HAIRPIN COTTER
5..	539 109368....	2	BUSHING, PLASTIC	19..	525 583601....	1	LINKAGE, BRAKE RT
6..	539 991034....	2	SCREW 10-24 x ⁵ / ₈ " WSH HD	20..	525 583701....	1	LINKAGE, BRAKE LT
7..	539 118179....	2	SWIVEL	21..	539 120220....	1	PIVOT, BRAKE ARM
8..	539 115247....	2	L-ROD 3 ¹ / ₈ "	22..	525 485602....	1	HANDLE, BRAKE
9..	539 976979....	3	NUT ³ / ₈ -16 HEX NYLOC	23..	539 100413....	1	RHSNB ³ / ₈ -16 x 1 ¹ / ₄
10..	539 990517....	7	WASHER ³ / ₈ FLT STD	24..	539 120921....	1	GRIP, BRAKE HANDLE
11..	539 976989....	6	HAIRPIN	25..	539 102843....	1	WASHER ⁷ / ₁₆ SPRING DISK
12..	539 112308....	2	SWIVEL, BRAKE	26..	539 133007....	1	WASHER, .825
13..	539 101082....	2	ROLL PIN ³ / ₁₆ "	27..	532 196492....	1	GRIP, LIFT HANDLE
14..	525 735701....	1	LINKAGE, UPPER				

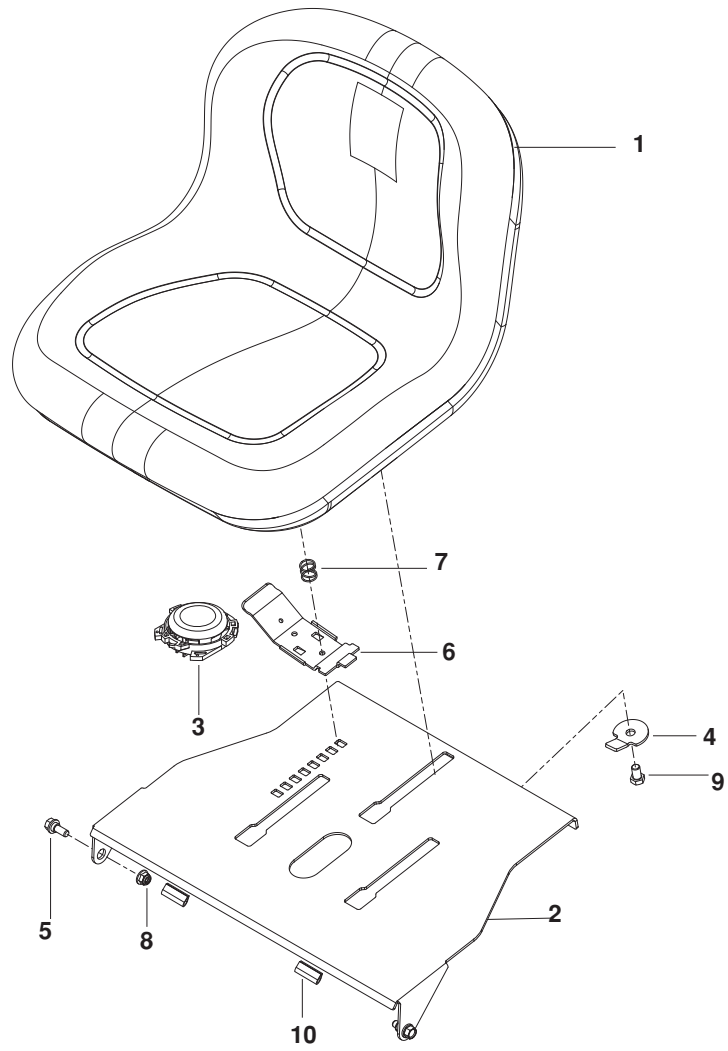
MOWER DECK / CUTTING DECK



MOWER DECK / CUTTING DECK

ITEM	PART NO.	QTY.	DESCRIPTION	ITEM	PART NO.	QTY.	DESCRIPTION
1..	576 414501....	1	DECK w/ SAFETY DECALS	32..	539 990629....	1	HCS 3/8-16 x 2 1/4
2..	532 195185....	2	ARM, SUSPENSION REAR	33..	539 990122....	2	WASHER 3/8 SAE FLT
3..	532 193003....	2	BOLT, WASHER, ASSY	34..	539 990188....	1	WASHER 5/16 SAE FLT
4..	539 107518....	2	STRIPPER, ROUND	35..	532 401872....	2	SPRING RETURN
5..	539 107630....	8	SCREW, WASHER HEAD	36..	532 400140....	2	KEEPER, MANDREL PULLEY
6..	539 990799....	6	RHSNB 5/16-18 x 5/8	37..	576 215602....	1	SHIELD, BELT RH BLK
7..	532 192557....	1	BRACKET, DEFLECTOR	38..	576 215702....	1	SHIELD, BELT LH BLK
8..	539 112899....	7	NUT 5/16-18 HEX FLG NYLOC	39..	539 102998....	1	FRICITION WASHER
9..	532 192870....	2	MANDREL	40..	539 976988....	1	HAIR PIN
10..	532 199791....	2	PULLEY, MANDREL	41..	532 195740....	1	LINK, SUSPENSION FRT
11..	539 107520....	2	WASHER-SPACER	42..	539 114789....	1	SWIVEL
12..	539 107590....	2	NUT 9/16 TOP CNTRLK	43..	539 976989....	2	HAIRPIN
13..	539 110462....	1	ROD, HINGE	44..	573 975201....	1	NUT 7/16-20 HEX NYLOC
14..	539 110328....	1	SPRING, TORSION	45..	539 990250....	1	WASHER 1/2 SAE
15..	539 107627....	1	CAP, SLEEVE	46..	539 106504....	1	WASHER, HEAVY
16..	539 107626....	1	PUSHNUT	47..	532 193957....	2	BLADE, 38
17..	539 919078....	1	PULLEY, IDLER	48..	532 192572....	1	CHUTE, DISCHARGE
18..	532 177968....	1	PULLEY, IDLER	49..	574 753901....	1	BAFFLE, VORTEX, BLK
19..	529 311801....	2	ARM, BRAKE LH BLK	50..	532 165898....	1	RETAINER, SPRING
20..	539 113621....	2	BOLT 3/8-16 x 3/8 SKT HD	51..	574 694504....	1	ARM, IDLER BLK
21..	539 200282....	2	NUT 3/8-16 HEX JAM NYLOC	52..	532 173443....	1	BOLT, CARRIAGE IDLER
22..	532 199092....	2	SPACER RETAINER	53..	574 693304....	1	ARM, BRAKE BLK
23..	539 990563....	1	HCS 3/8-16 x 1	54..	532 415598....	1	WASHOUT PORT
24..	521 996501....	2	NUT 3/8-16 HEX FLG NYLOC	55..	539 108461....	1	BOLT 1/4-20 x 1/2 HWST
25..	525 851801....	2	GUIDE, BELT	56..	539 116689....	1	ROD END COUPLER
26..	574 694601....	1	LINKAGE, DECK BRAKE	57..	539 115502....	1	NUT 5/16-18-24 HEX JAM
27..	539 116690....	1	BALL END, RT	58..	539 991073....	1	NUT 5/16-18-24 HEX JAM LH
28..	539 976935....	1	HCS 5/16-18 x 1 1/2				NOT SHOWN
29..	539 990585....	1	NUT 5/16-18 HEX WHIZLK		532 165631 ...	1	BELT
30..	539 990196....	1	NUT 5/16-18 HEX		532 416405 ...	1	QUICK CONNECT
31..	539 107631....	8	SCREW 1/4-20 x 5/8				

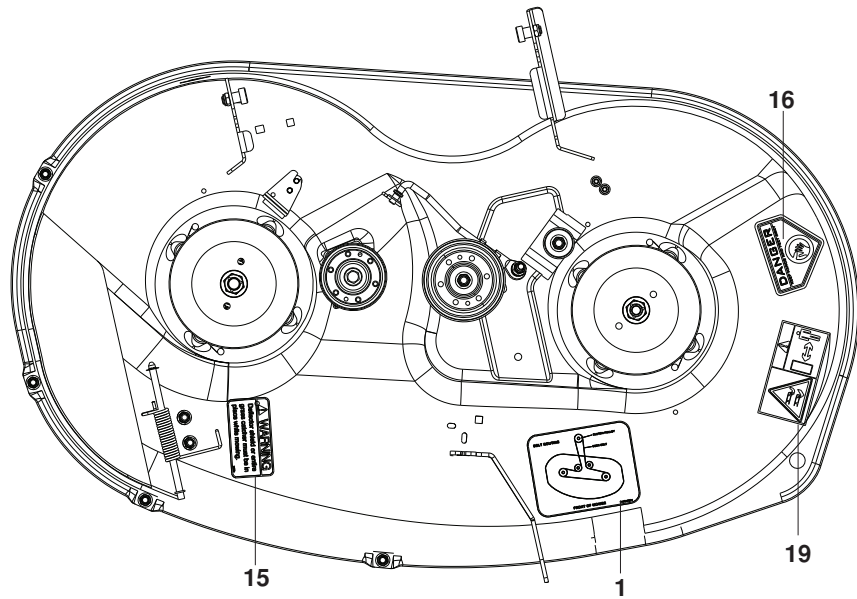
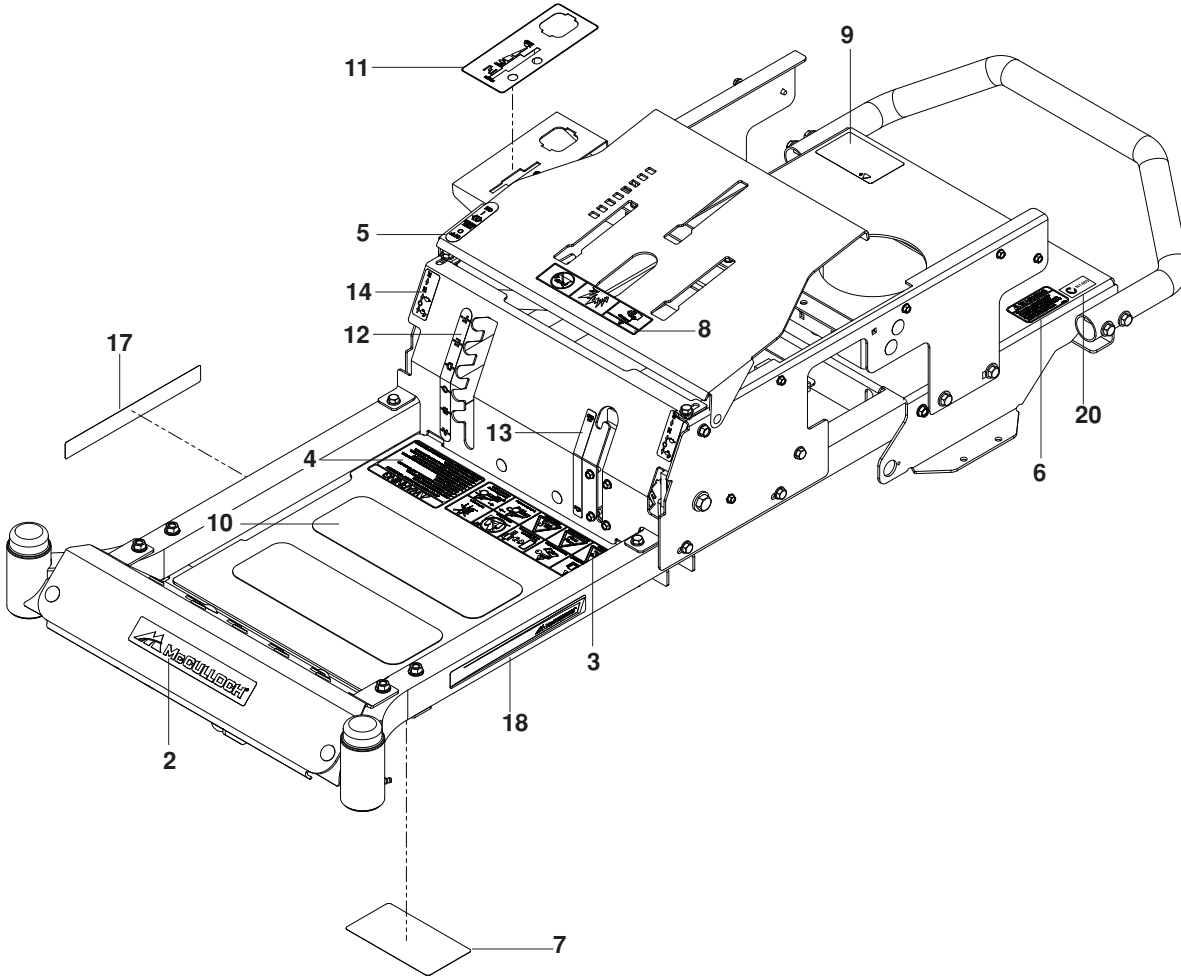
SEAT



SEAT

ITEM	PART NO.	QTY.	DESCRIPTION	ITEM	PART NO.	QTY.	DESCRIPTION
1..	522 598901....	1	SEAT	6..	532 197661....	1	HANDLE, SEAT SLIDE
2..	574 356305....	1	PLATE, SEAT BLK	7..	532 198200....	1	SPRING, SEAT SLIDE
3..	539 132140....	1	SWITCH, SEAT N/C	8..	539 112899....	2	NUT $\frac{5}{16}$ -18 HEX FLG NYLOC
4..	574 191002....	1	STOP, SEAT	9..	539 108503....	3	HCS $\frac{3}{8}$ -16 x $\frac{5}{8}$
5..	539 110303....	2	BOLT $\frac{5}{16}$ -SHOULDER	10..	539 118102....	2	CLIP

DECALS



DECALS

ITEM	PART NO.	QTY.	DESCRIPTION	ITEM	PART NO.	QTY.	DESCRIPTION
1..	510 240201....	1	DECAL, BELT ROUTING	11..	575 927001....	1	DECAL, CONTROL PANEL
2..	575 926701....	2	DECAL, McCULLOCH	12..	525 814201....	1	DECAL, DECK HEIGHT
3..	539 109908....	1	DECAL, SAFETY WARNING	13..	525 814301....	1	DECAL, BLADE ENGAGE
4..	539 113213....	1	DECAL, WARNINGS	14..	575 927201....	2	DECAL, MOTION CONTROL
5..	539 120006....	1	DECAL, PARK BRAKE	15..	539 113224....	1	DECAL, DEFLECT WARNING
6..	539 101881....	1	DECAL, PROP 65	16..	539 913010....	1	DECAL, BLADE WARNING
7..	539 109897....	1	DECAL, SERVICE	17..	575 926801....	1	DECAL, McCULLOCH RT
8..	539 105745....	1	DECAL, BATTERY WARNING	18..	575 926802....	1	DECAL, McCULLOCH FT
9..	539 108385....	1	DECAL, DO NOT TOW	19..	539 105746....	1	DECAL, SEVERING
10..	539 977778....	2	PAD, ABRASIVE	20..	539 110279....	1	DECAL, ECM

